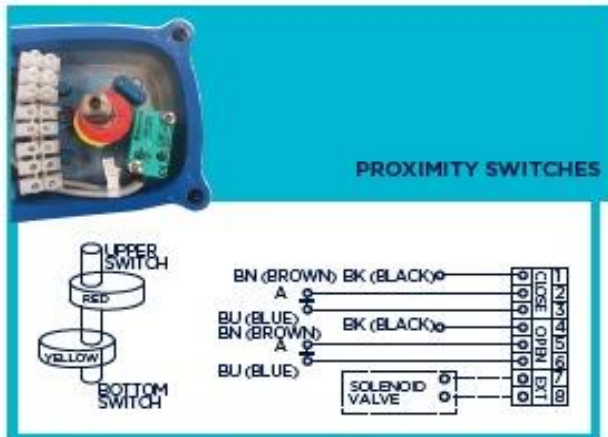


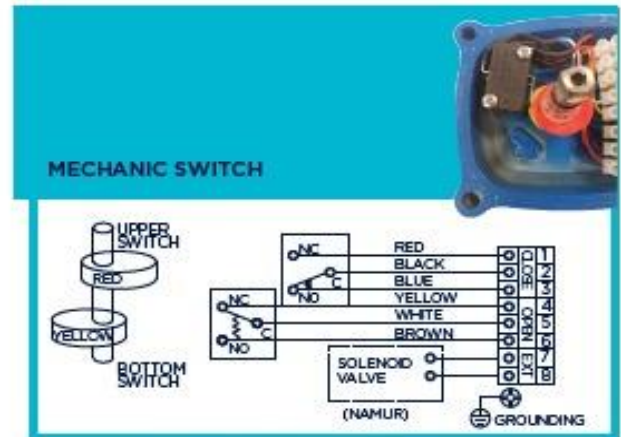
## TORK SWITCH BOX

### Technical Specification

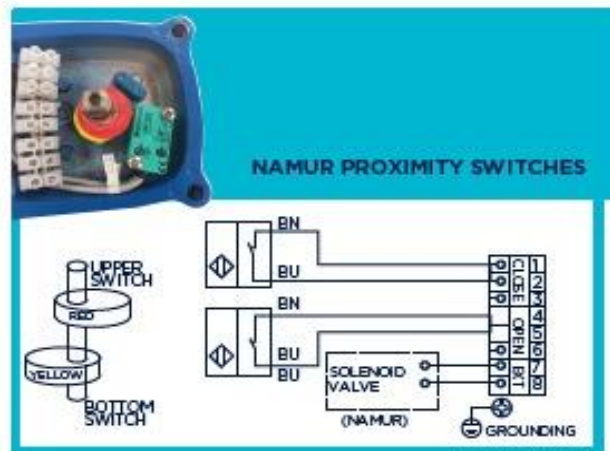
- On-Off position indicator
- Compact body
- Ex-proof, Ex d IIC T6, Ex ia IIC T6 (On order)
- IP67
- Electrostatic dyed aluminium injection body
- 2 pieces cable input NPT 1/2", M20 (On order)
- Easy mounting with namur standard, stainless steel bracket
- Used mechanic switch as standard. On order, can be used proximity switch.
- Working temperature: -20 °C ile +80 °C



Connection diagram for Proximity switches



Connection diagram for Mechanic switches



NAMUR Proximity switchler için bağlantı şeması

# TORK SWITCH BOX-LS10



### Technical Specification

- IP67 protection class
- It is produced with mechanical switch as standard. On order proximity used.



Switch Function	Mechanic, Single Contact Double Way
Licencing	VDE
Nominal Values	16A, 250V
Working Temperature	-25°C +125°C



Switch Function	Proximity, NPN, NO, Three Cable
Licencing	UL, CSA, CCC
Nominal Values	10-30VDC, 0-100mA
Working Temperature	-25°C +70°C



Switch Function	Proximity, PNP, NO, Three Cable
Licencing	EN 60947-5-2:2007 IEC 60947-5-2:2007
Nominal Values	10-30VDC, 0-100mA
Working Temperature	-25°C +100°C



Switch Function	Proximity, DC, NO, Two Cable
Licencing	UL, CSA, CCC
Nominal Values	5-60VDC, 0-100mA
Working Temperature	-25°C +70°C



STANDARD NAMUR SHAFT (mm)

