

Stainless Steel Solenoid Valve SS1010 Series (G3/8", G1/2", G3/4", G1", G1 1/4", G1 1/2", G2")

GENERAL FEATURES

- Wide pressure range, a flow rate and orifice options.
- Solenoid valves are used with the filter.
- Solenoid valves can be mounted in any position without affecting its operation.
- Coil to be used in a vertical position.
- TORK SS1010 pilot operated solenoid valves are 2 ways and normally closed.
- Working Temperature: -10 °C/ +80 °C
- Minimum necessary pressure is 0,5.

ELECTRICAL CHARACTERISTICS

| | |
|--------------------------|--|
| Continuous Duty | : ED %100 |
| Coil Insulation Class | : H (180°C)(IEC 85) |
| Coil Impregnation | : Polyester Fiber Glass |
| Ambient Temperature | : -10°C, +60°C |
| Protection Degree | : IP65 (ISO 60529) On request; IP68 |
| Electric Plug Connection | : DIN 46340 3-Poles Connector (DIN 43650) |
| Connector Specification | : ISO 4400 / EN 175301-803 Form A, Spade Plug (Cable Ø6-8 mm) |
| Electrical Safety | : IEC 335 |
| Standard Voltages | : AC 12V 15VA, 24V 15VA, 48V 15VA, 110V 15VA, 230V 15VA, 230V 24VA, DC 12V 18W, 24V 18W, 48V 18W, 110V 18W |

On request other voltages

Voltages Tolerance : AC -15%, +10% DC -5%, +10%

Frequency : 50 Hz (60 Hz...)

On request; Connector with LED, PWM Socket Specify coil voltage with order

MATERIALS IN CONTACT WITH FLUID

| | |
|---------------------------|-------------------------------|
| Body | : Stainless Steel (AISI 316) |
| Internal Parts | : Stainless Steel |
| Sealing | : NBR on request; VITON, EPDM |
| Shading Ring | : Copper (EN 12735-1) |
| Seats, Core Tube, Springs | : Stainless Steel |

OPTIONS

Female connection: BSP; (On request NPT)

- On request Atex (exproof) coil.

TECHNICAL FEATURES

| | |
|----------------|---|
| Max. Viscosity | : 5°E (-37cST veya mm²/s) |
| Response Time | : Opening time : 400 ms - 1600 ms Closing Time : 1000 ms - 2000 ms |

SEALS FEATURES

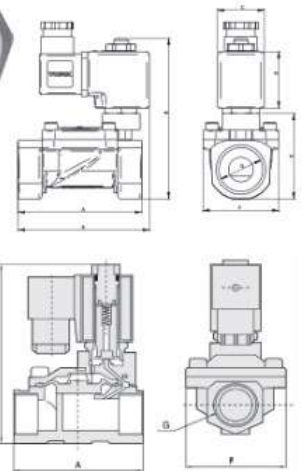
| | |
|-------|------------------|
| NBR | : -10°C...+80°C |
| EPDM | : -10°C...+130°C |
| VITON | : -10°C...+160°C |

NORMALLY CLOSED

2/2 WAY

PILOT OPERATED

ΔP=0,5



| Dimensions (mm) | | | | | | | |
|-----------------|-----|-----|----|----|------|-----|-------|
| G | A | B | C | D | E | F | H |
| 3/8" | 79 | 98 | 32 | 39 | 87,5 | 52 | 45,25 |
| 1/2" | 79 | 98 | 32 | 39 | 87,5 | 52 | 45,25 |
| 3/4" | 90 | 111 | 32 | 39 | 91 | 53 | 59 |
| 1" | 90 | 111 | 32 | 39 | 91 | 53 | 59 |
| 1 1/4" | 131 | 146 | - | - | - | 96 | - |
| 1 1/2" | 131 | 146 | - | - | - | 96 | - |
| 2" | 165 | 167 | - | - | - | 120 | - |

| Coils | Nominal Values | Cold/Hot | Inrush | Holding | Current (A) | Surface Temperature (°C) |
|---------------|----------------|----------|--------|---------|-------------|--------------------------|
| C40012VDC18W | 12VDC 18W | COLD | 19,56 | 19,56 | 1,63 | 20 |
| | | HOT | 14,52 | 14,52 | 1,21 | 106 |
| C40024VDC18W | 24VDC 18W | COLD | 20,88 | 20,88 | 0,87 | 25 |
| | | HOT | 14,64 | 14,64 | 0,61 | 116 |
| C40110VDC18W | 110VDC 18W | COLD | 19,96 | 19,96 | 0,18 | 23 |
| | | HOT | 13,56 | 13,56 | 0,123 | 115 |
| C40012VAC15VA | 12VAC 15VA | COLD | 23,81 | 16,43 | 1,3 | 25 |
| | | HOT | - | 15,86 | 1,262 | 79 |
| C40024VAC15VA | 24VAC 15VA | COLD | 25,82 | 15,02 | 0,62 | 22 |
| | | HOT | - | 13,91 | 0,57 | 81 |
| C40110VAC15VA | 110VAC 15VA | COLD | 30,65 | 15,17 | 0,137 | 24 |
| | | HOT | - | 13,96 | 0,126 | 80 |
| C40230VAC15VA | 230VAC 15VA | COLD | 31,4 | 15,64 | 0,068 | 25 |
| | | HOT | - | 14,41 | 0,063 | 80 |
| C40230VAC15VA | 230VAC 24VA | COLD | 45,1 | 23,92 | 0,0154 | 23 |
| | | HOT | - | 21,62 | 0,0154 | 100 |

STANDARDS

• Standard tube connection G (BSP) (ISO 228-1) and other tube connections (NPT (ANSI1.20.3)) are available on request.

• TORK solenoid valves 97/23/EC are available for pressure equipment directive (PED) and 2006/95/ECC low voltage directive (LVD).

Not: Please look catalogues for more details

| Solenoid Valve Symbol | Valve Type/Order No | Connection Size | Orifice Size | Pressure min/max | | Kv | Seal | | | Weight |
|-----------------------|---------------------|-----------------|--------------|------------------|-----|-------|-------|-------|-------|--------|
| | | | | Bar | Bar | | l/min | NBR | Viton | |
| | SS1010 | G | mm | Bar | Bar | l/min | NBR | Viton | EPDM | kg |
| | SS1010.02 | 3/8" | 12,5 | 0,5 | 16 | 48 | ✓ | ✓ | ✓ | 0,74 |
| | SS1010.03 | 1/2" | 12,5 | 0,5 | 16 | 48 | ✓ | ✓ | ✓ | 0,72 |
| | SS1010.04 | 3/4" | 17 | 0,5 | 16 | 90 | ✓ | ✓ | ✓ | 0,86 |
| | SS1010.05 | 1" | 17 | 0,5 | 16 | 90 | ✓ | ✓ | ✓ | 0,84 |
| | SS1010.06 | 1 1/4" | 35 | 0,5 | 16 | 315 | ✓ | ✓ | ✓ | 3,45 |
| | SS1010.07 | 1 1/2" | 40 | 0,5 | 16 | 430 | ✓ | ✓ | ✓ | 3,35 |
| | SS1010.08 | 2" | 50 | 0,5 | 16 | 690 | ✓ | ✓ | ✓ | 3,78 |